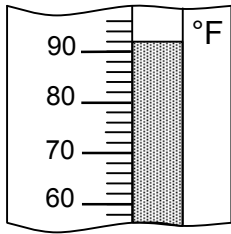


1 Savannah measured the temperature outside at 7:00 P.M. The thermometer shows the temperature she measured.



The temperature went down 4 °F each hour for 4 hours. What was the temperature at 11:00 P.M.?

- (A) 76°F (B) 80°F (C) 88°F (D) 108°F

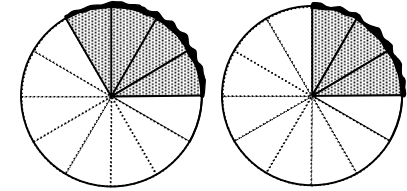
5.11A

2 Which data set below has a mode of 235?

- (A) Set A:
235 245 215 250 220 255
- (B) Set B:
235 235 225 240 225 225
- (C) Set C:
235 225 250 215 235 265
- (D) Set D:
235 255 255 220 255 235

5.13B

3 The models below show how many slices of pie were left after a party.



Which number sentence shows how much pie was eaten at the party?

- (A) $\frac{9}{12} - \frac{8}{12} = 1 \frac{1}{12}$ (C) $\frac{4}{12} + \frac{3}{12} = \frac{7}{12}$
- (B) $\frac{8}{12} + \frac{9}{12} = 1 \frac{5}{12}$ (D) $\frac{4}{12} - \frac{3}{12} = \frac{1}{12}$

5.3E

4 Four students measured the lengths of their shoes and recorded the information in the table.

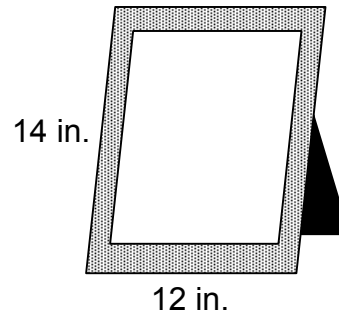
Student	Shoe Length
Annabelle	$\frac{8}{10}$ foot
Benjamin	$\frac{3}{4}$ foot
Shaquana	$\frac{5}{8}$ foot
Sebastian	$\frac{6}{12}$ foot

Which student has the longest shoe?

- (A) Annabelle (C) Shaquana
(B) Benjamin (D) Sebastian

5.2C

5 Martin wants to glue a ribbon around the perimeter of the picture frame shown below.



What length of ribbon will he need?

- (A) 4 feet 2 inches
(B) 12 feet
(C) 4 feet 4 inches
(D) 14 feet

5.10C

6 The table shows Sarahi's age and her mother's age at different times.

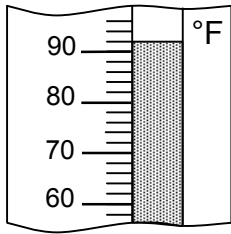
Mother's Age	Sarahi's Age
24	4
30	10
36	16

What is the relationship between their ages?

- (A) The mother's age divided by 6 equals Sarahi's age.
(B) The mother's age divided by 3 equals Sarahi's age.
(C) The mother's age minus 16 equals Sarahi's age.
(D) The mother's age minus 20 equals Sarahi's age.

5.5A

1 Savannah measured the temperature outside at 7:00 P.M. The thermometer shows the temperature she measured.



The temperature went down 4 °F each hour for 4 hours. What was the temperature at 11:00 P.M.?

5.11A

2 Circle the data set below that has a mode of 235.

Set A:
235 245 215 250 220 255

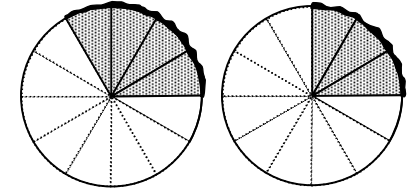
Set B:
235 235 225 240 225 225

Set C:
235 225 250 215 235 265

Set D:
235 255 255 220 255 235

5.13B

3 The models below show how many slices of pie were left after a party.



Circle the number sentence that shows how much pie was eaten at the party.

$$\frac{9}{12} - \frac{8}{12} = 1 \frac{1}{12} \quad \frac{4}{12} + \frac{3}{12} = \frac{7}{12}$$

$$\frac{8}{12} + \frac{9}{12} = 1 \frac{5}{12} \quad \frac{4}{12} - \frac{3}{12} = \frac{1}{12}$$

5.3E

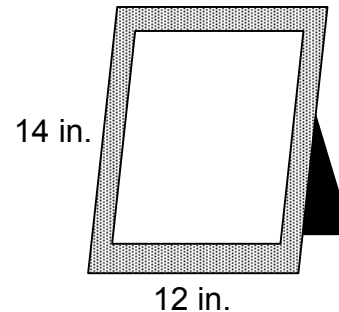
4 Four students measured the lengths of their shoes and recorded the information in the table.

Student	Shoe Length
Annabelle	$\frac{8}{10}$ foot
Benjamin	$\frac{3}{4}$ foot
Shaquana	$\frac{5}{8}$ foot
Sebastian	$\frac{6}{12}$ foot

Which student has the longest shoe?

5.2C

5 Martin wants to glue a ribbon around the perimeter of the picture frame shown below.



What length of ribbon will he need?

5.10C

6 The table shows Sarahi's age and her mother's age at different times.

Mother's Age	Sarahi's Age
24	4
30	10
36	16

Describe the relationship between their ages.

5.5A