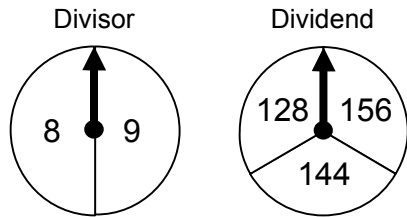


1 Amelia will spin the arrow on each spinner one time. She will then find the quotient of the two numbers indicated by the arrows.

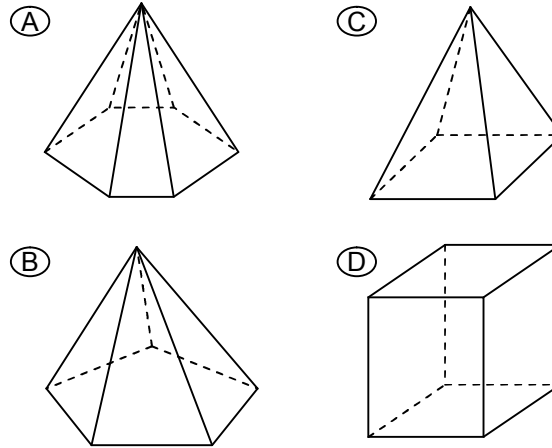


What is the greatest possible quotient she can find that does not have a remainder?

- (A) 16
- (B) 18
- (C) 19
- (D) 20

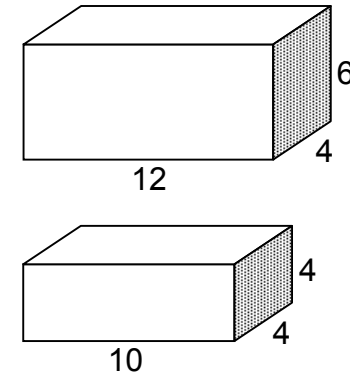
5.3C

2 Which figure does NOT have a number of faces that is equal to its number of vertices?



5.7A

3 Look at the figures.

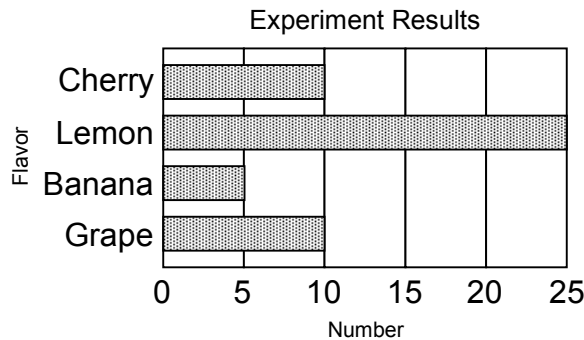


			.
0	0	0	
1	1	1	
2	2	2	
3	3	3	
4	4	4	
5	5	5	
6	6	6	
7	7	7	
8	8	8	
9	9	9	

How much greater, in cubic units, is the volume of the top figure than the bottom figure?

5.10C

4 Diego placed some candies in a bowl. He pulled 1 candy out, recorded the flavor on the graph, and then replaced the candy. He repeated this procedure 50 times.



If Diego pulls out and replaces 100 candies, which is the most reasonable prediction of the number of times he will pull out a lemon candy?

- (A) 25
- (B) 50
- (C) 75
- (D) 100

5.12B

5 A shuttle bus transports passengers from the airport to a hotel. The bus carries no more than 32 passengers at one time. There are 272 passengers at the airport waiting to be transported to the hotel. Will the bus be able to transport all of the passengers in 8 trips?

- (A) Yes, because the product of 32 and 8 is greater than 272.
- (B) Yes, because the product of 32 and 8 is equal to 272.
- (C) No, because the product of 32 and 8 is less than 272.
- (D) No, because the product of 32 and 8 is greater than 272.

5.3B

6 The table shows the regular prices and sale prices of fruit smoothies at Mr. Garza's store.

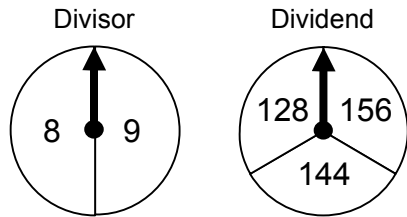
	Sm	Med	Lg
Regular Price	\$3	\$4.75	\$6.50
Sale Price	\$1.85	\$3.60	\$5.35

Which advertisement describes the information in the table?

- (A) Save \$1.85 when you buy any size smoothie!
- (B) Save \$1.15 when you buy any size smoothie!
- (C) Save \$1.25 when you buy any size smoothie!
- (D) Save \$1.05 when you buy any size smoothie!

5.5A

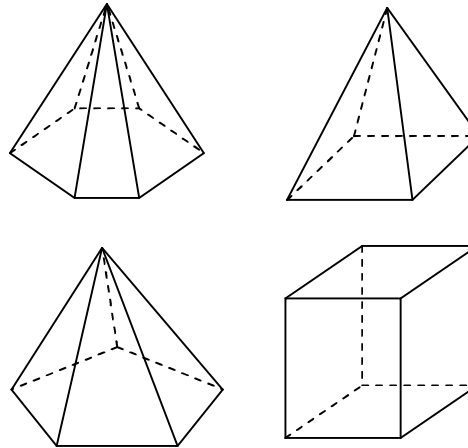
1 Amelia will spin the arrow on each spinner one time. She will then find the quotient of the two numbers indicated by the arrows.



What is the greatest possible quotient she can find that does not have a remainder?

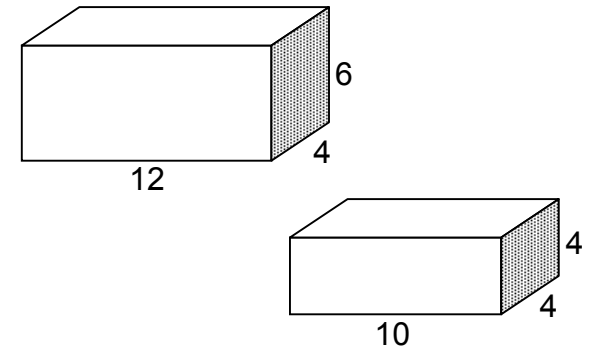
5.3C

2 Circle the figure that does NOT have a number of faces that is equal to its number of vertices.



5.7A

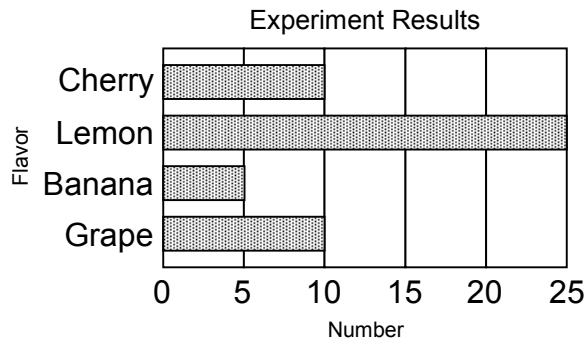
3 Look at the figures.



How much greater, in cubic units, is the volume of the top figure than the bottom figure?

5.10C

4 Diego placed some candies in a bowl. He pulled 1 candy out, recorded the flavor on the graph, and then replaced the candy. He repeated this procedure 50 times.



If Diego pulls out and replaces 100 candies, what is a reasonable prediction of the number of times he will pull out a lemon candy?

5.12B

5 A shuttle bus transports passengers from the airport to a hotel. The bus carries no more than 32 passengers at one time. There are 272 passengers at the airport waiting to be transported to the hotel. Will the bus be able to transport all of the passengers in 8 trips? Place a  $\checkmark$  next to the true statement.

- Yes, because the product of 32 and 8 is greater than 272.
- Yes, because the product of 32 and 8 is equal to 272.
- No, because the product of 32 and 8 is less than 272.
- No, because the product of 32 and 8 is greater than 272.

5.3B

6 The table shows the regular prices and sale prices of fruit smoothies at Mr. Garza's store.

	Sm	Med	Lg
Regular Price	\$3	\$4.75	\$6.50
Sale Price	\$1.85	\$3.60	\$5.35

Circle the advertisement that describes the information in the table.

- Save \$1.85 when you buy any size smoothie!
- Save \$1.25 when you buy any size smoothie!
- Save \$1.15 when you buy any size smoothie!
- Save \$1.05 when you buy any size smoothie!

5.5A