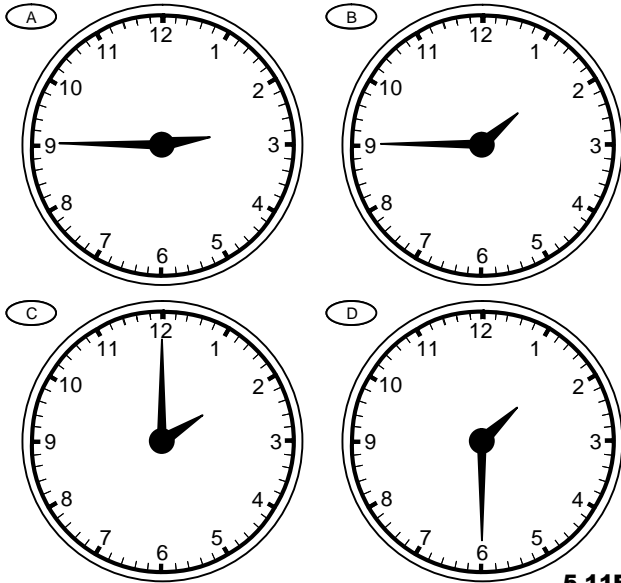


1 A game began at 12:15 and ended 1 hour 30 minutes later. Which clock shows the time that the game ended?



5.11B

2 Three brothers had a contest to see who could jump the farthest. Mario jumped 4 feet. Cesar jumped 6 feet farther than Mario, and Ramon jumped half as far as Cesar. Which number sentence could be used to find r , the distance that Ramon jumped?

- (A) $4 + 6 - 2 = r$
- (B) $(4 + 6) \times 2 = r$
- (C) $(4 + 6) \div 2 = r$
- (D) $(6 \div 2) + 4 = r$

5.6A

3 The numbers below are in order from greatest to least.

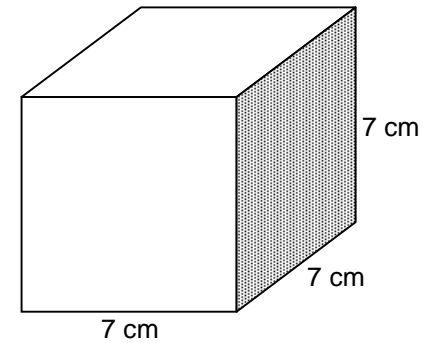


Which number below would best fill the blank space?

- (A) 6.510
- (B) 6.499
- (C) 6.359
- (D) 6.240

5.1B

4 Look at the cube.

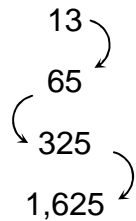


What is the volume of the cube?

- (A) 49 cubic centimeters
- (B) 98 cubic centimeters
- (C) 277 cubic centimeters
- (D) 343 cubic centimeters

5.10C

5 Look at the pattern of numbers.



Which describes the rule of the pattern?

- (A) Add 52
- (B) Add 260
- (C) Multiply by 4
- (D) Multiply by 5

5.16A

6 The table shows the cost of different tickets at a festival.

Ticket	Cost
Child	\$3
Adult	\$5
Senior	\$2

The Delgado family paid \$20 for 6 tickets. If 2 of the tickets were senior tickets, then what might the other 4 tickets have been?

- (A) 3 adult and 1 child
- (B) 4 child
- (C) 2 adult and 2 child
- (D) 1 adult and 3 child

5.14C

7 The graph shows the number of points that 4 students earned.

Omar	☺ ☺ ☺ ☺ ☺ ☺ ☺ ☺ ☺
Asim	☺ ☺ ☺ ☺ ☺ ☺ ☺ ☺
Gala	☺ ☺ ☺ ☺ ☺ ☺ ☺
Lian	☺ ☺ ☺ ☺ ☺ ☺

Each ☺ means 12 points

How many points did the 4 students earn altogether?

- (A) 30
- (B) 90
- (C) 360
- (D) 372

5.3B

8 Samuel had six 20-dollar bills. He spent half of the money on a video game. Which pair of number sentences can be used to determine how much money Samuel had left?

- (A) $6 + 20 = 26$
 $26 \div 2 = 13$
- (B) $20 \div 2 = 10$
 $10 + 6 = 16$
- (C) $6 \times 20 = 120$
 $120 - 20 = 100$
- (D) $6 \times 20 = 120$
 $120 \div 2 = 60$

5.15B

